

NAME: 501221413 OBJECT: CAPACITOR_ASSEMBLY DATE: 24-Nov-05 19:35:27

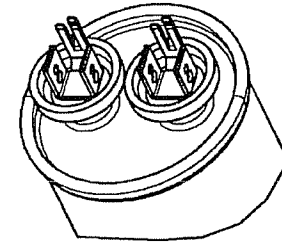
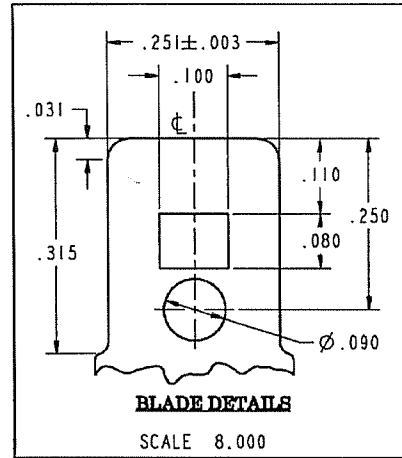
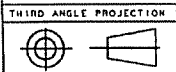
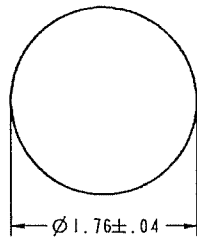
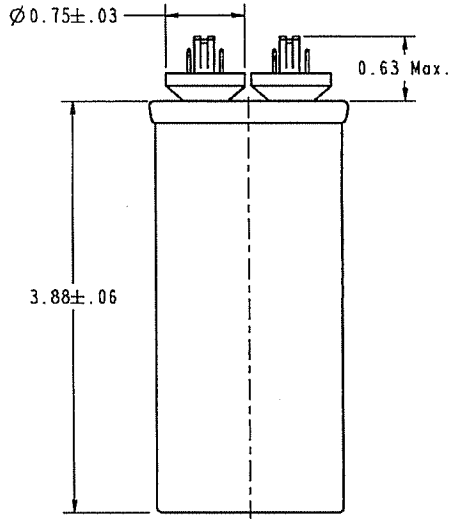
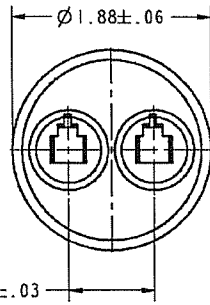
14

13

12

SIZE	DRAWING NO	REV	SHEET
C	97F6535	1	1
REVISIONS			
REV.	DESCRIPTION	DATE	APPROVED
1	Modified per ECN NO. 0627.	11/11/05	HY

RBC PROPRIETARY AND CONFIDENTIAL INFORMATION
 This document is the property of REGAL BELMONT CORPORATION ("RBC") including its subsidiaries and contains proprietary information of RBC. This document is loaned on the express condition that neither it nor the information contained herein shall be disclosed to others without the express written consent of RBC, and that the information shall be used for the specific purpose only as approved by RBC. This document shall be returned to RBC upon its request. This document may be subject to certain restrictions under E.O. 13526 (control, use and disposition).



SCALE 1.500

SPECIFICATIONS:

"GEM-III Capacitors are manufactured with High Grade Metallized Polypropylene Film"

Main Capacitance	: 24.00 μ F \pm 3%
Secondary Capacitance	: NIL
Volts	: 400AC
Leakage Current	: 30 μ A Max.
Frequency	: 50/60 HZ
Operating Temperature	: -40 DEG C TO 90 DEG C
Storage Temperature	: -40 DEG C TO 90 DEG C
Operative Life	: 60,000 HRS WITH 94% SURVIVAL
Dissipation Factor	: 0.1% MAX.
Case Material	: ALUMINIUM
Cover Material	: TERMPATE
Terminals	: 0.250"x0.031" Quick Connect Blades
Dielectric Fluid	: DIELEKTROL VI
Internal Protection	: UL RECOGNIZED PRESSURE SENSITIVE INTERRUPTER

FOR ADDITIONAL INFO REFER TO:	SIGNATURES	DATE
APPLIED PRACTICES	MODEL	RAGHU.P.H 08/27/04
UNLESS OTHERWISE SPECIFIED DIMENSIONS ARE IN INCHES	DETAIL	RAGHU.P.H 08/27/04
TOLERANCE OR:	CHECKED	RAGHU.P.H 08/27/04
1 PL DECIMALS \pm 0.1	ENGRG	
2 PL DECIMALS \pm 0.01	MFG	
3 PL DECIMALS \pm 0.001	QUALITY	
ANGLES \pm 0.5	ISSUED	
FRACTIONS \pm		
FINISH		



REGAL-BELMONT CORPORATION

**GEM III CAPACITOR
OUTLINE DRAWING**

SIZE	DRAWING	REV
C	97F6535	1
MATERIAL	SOLID MODEL: CAPACITOR_ASSEMBLY	SHEET 1 OF 1
SCALE: 1.250	REF. No: .	

14

13

12

11